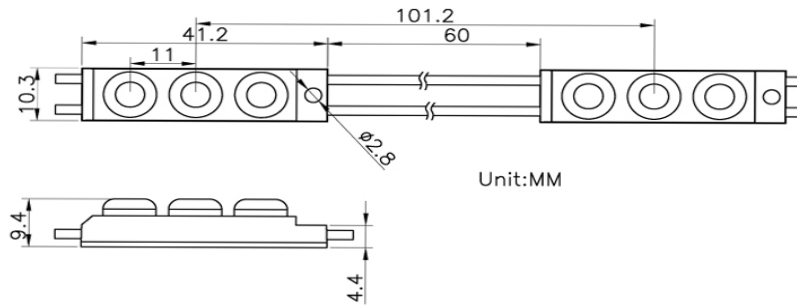


Mini 3



Installation size and step

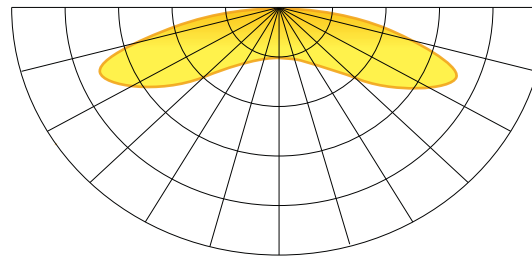


- Ideal for light boxes and three-dimensional letters with a depth of 90 - 150 mm. The narrow case allows you to install small letters.
- Shows itself perfectly when illuminating acrylic day-night.
- Increased brightness - 120 lm.

Installation:

- Light boxes and volumetric letters
- The recommended installation depth is 90-150

Light scattering angle



Scattering angle: 160°

Technical information

Available colors	○
Power	1,08W
Light flux	120 lm
Crystal type	2835
Operating voltage	12V DC
Glow temperature	○6500 K
Scattering angle	160°
Protection class	IP 67
Working temperature	-25 +50 °C

Features and benefits:

- Special polycarbonate lens with light transmission > 88%
- Maximum temperature Tj 65°C
- Luminance drop <30% after 40,000 hours.
- CRI greater than 70
- HB level of fire safety
- High level of protection Ip67
- 5-year warranty

Packaging information

Packaging	In a chain	In the package	In a box
Number	20 PCS	160 PCS	1600 PCS
Weight	0,3 kg	2,24 kg	23,5 kg

